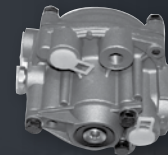




DRAGON

Make it happen.

PARTS CATALOG



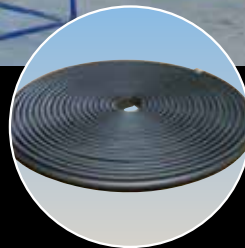
SITE GLASS

BUTTERFLY VALVES

MANWAYS

GASKETS

TARPS



Scan this QR code to be taken to the electronic version of the catalog.

Toll Free Parts Hotline
1.888.801.7778
www.dragonproductsltd.com

VAC FRAC SEC. I

MANWAYS & COMPONENTS • P.2

Gaskets, Manways, Manway Components, Manway Lids

VALVES & GAUGES • P. 3

Butterfly Valves, Flanges, Gauges, Gaskets, Pipe Fittings, Primary & Secondary Scrubbers, Site Glass & Valves

FLOAT BALLS & COMPONENTS • P. 4

ASME Code Acid Tanker-Parts, Ball Cage & Assemblies, Ball Float Indicator, Float Ball, Float Ball Seat, Frac Tank Long Handle

BALL INDICATOR BREAKDOWNS • P. 5

Ball Indicator Breakdowns

FRAC TANK • P. 6

Brass Lever Gate Valves & Repair Kit, Duckbills, Frac Manifold Parts, Fruitland Pumps, Manway Components, Static Reel

COUPLERS, DUST PLUGS & FITTINGS • P. 7 TOOLBOXES • P. 7

MISC SEC. II

VAC TANK • P. 8-9

Decals, Fenders, Fuel Tank Parts, King Pins, Manifest Box, Mud Flaps, Placards, Secondary Shutoff Mount Plates & Vac Tank Hose Pan Repair Parts

Aluminum Repair Parts, Aluminum Baffle, End Cap, Catwalk Gripstrut, Frame Rail, Ladders, Landing Gear, Pipes, Vacuum Box, Wheels & Tires

ROLL-OFF & DUMP TRAILER • P. 10-11

Bang Board, Control Cable, Draw Bars, Dump Pump, Fitting Kits, Hose Kits, Hydraulic Tubing Kit, Latch Assembly, Misc, Ratchet Straps & Winches

Gauge, Handles, Hydraulic Cylinders, Inlet Sections, Oil Lubricator, Pulley Parts, Rollers, Roll off & End Dump Cylinders

CONTAINER TRAILER P. 12-13

Container Repair Parts Chain, Door Hardware, Dewatering Box, Gaskets, Ratchet Binders, Rollers, Winches, Wire Rope Cable

Container Liner, Tarps & Hardware

LIGHTS SEC. III

ACCESSORIES • P. 13-14

MD Turn lights, Back up lights

Work lights, reflectors, grommets, tape

AIR BRAKES SEC. IV

COMPONENTS • P. 15

Air brakes, Anti-lock brakes, Stud Piloted Hubs, Single Axle brake systems, Air Related Parts and Tandem Axle Trailer Systems

AXEL PARTS SEC. V

COMPONENTS • P. 16

Axel Components, Piloted Hubs w/Outboard Drums, Axle Parts cam, Bushing Kits, Brake Kits, Shoes, etc.

SUSPENSIONS SEC. VI

230-0011 - AIR RIDE TA-300-14W • P. 17

800-0104/800-0104

TA302-14/15 ASSEMBLY • P. 18

230-0015 - AIR RIDE TA300U-9W • P. 19

230-0010 -

TS-SM-LW-50 13 1/2" MNT • P. 20

230-0013 -

LIFT AXLE ASST. COMPLETE • P. 21

230-0006 -

SINGLE SUSP 9700SOS /354 • P. 22-23

MANWAYS & COMPONENTS

MANWAYS

Gasket in neck and lid design, 1/4" steel construction, weldable base is 21.25" OD.

804-0108/0107

model #	size	neck height	bolt/nut
804-0108	21" Manway	6"	6 bolt
804-0107	21" Manway	12"	6 bolt
804-0113	21" Indiana manway	6"	6 bolt
245-5015	21" Manway	6"	4 bolt
245-5055	20" Manway	12"	6 bolt
245-5060	20" Manway	6"	6 bolt
245-5065	20" Manway	6"	asme code
245-5066	20" Manway	12"	asme code
245-5070	21" Dragon manway	6"	N/A
245-5071	21" Dragon manway	12"	N/A
245-5072	21" Dragon manway	48"	N/A
245-5081	20" Aluminum manway	6"	6 bolt
245-5082	20" Aluminum manway	12"	6 bolt
245-5020	36" Manway	6"	8 wing nuts
804-0114	20" Manway	6"	bolt w/gasket in lid



ASSORTED GASKETS

GASKETS

- 240-4045 21" Manway gasket 5/8
- 240-4046 21" Manway gasket Dragon brand /fits in neck
- 804-0036 Gasket, manway 20"x5/8 sq.
- 804-0037 36" Manway gasket
- 804-0105 Gasket manway-indiana
- 804-0168 4" 8 Hole viton gasket
- 804-0081 Manway gasket-150bbl light duty



804-0013 lid only

MANWAY LIDS

Gasket in neck design, 1/4" steel construction, weldable base is 21.25" OD.

804-0013	21" Manway lid 6 bolt
804-0080	21" Manway lid-150bbl light duty
804-0045	12" Welded lid assy
804-0074	Manway lid 21" M-L-4 bolt
804-0078	20' Stainless Steele manway lid (150bbl alum tanker)
804-0101	21" manway 6 bolt (Dragon Indiana frac tank)
804-0110	12" Manway lid secondary shutoff
804-0170	21" Primary shutoff lid



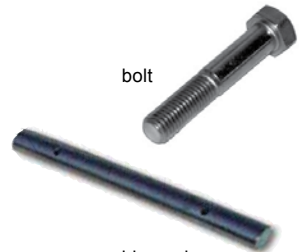
washer



nut

MANWAY COMPONENTS

- 405-4005 Nut 3/4 nylock (frac manway)
- 410-8001 Washer
- 420-5003 Roll pin 5/32x1
- 420-0003 Clevis pin 5/8 x 2
- 420-0005 Clevis pin 1/2x2
- 804-0088 Clevis pin 11/16x 3 5/16
- 400-3030 Swing bolt 5/8"
- 804-0106 Bolt 3/4x4-gr8 (frac manway)
- 400-4032 Eyebolt 3/4 x 6 (frac manway)
- 400-4027 Bolt 3/4x6"gr8 unc plated
- 405-3010 Wing nut 5/8"
- 405-4010 Wing nut 3/4 (frac)
- 804-0087 Wing nut 150bbl light duty
- 420-0004 Hinge pin manway 1/2 dia w/head
- 804-0046 Hinge pin (std manway 6 bolt)
- 804-0102 Hinge pin-dragon esp
- 804-0089 Hinge pin 7/16 x 4 5/16 150bbl ld
- 420-5001 Cotter pin 3/16x2 1/2
- 804-0090 Cotter pin 1/8 x 2 ()
- 804-0103 Cotter pin - esp



bolt

hinge pin



cotter pin



eye bolt



swing bolt



clevis pin



wing nut



2" Brass
245-0065

VALVES

- 245-0017. Vac. Rlf. 1035mz 1 1/2
- 245-0065. 2" Brass press. Rlf vlv.
- 245-0030. Combo Press/vac rel im217n3
- 245-0050. LI10 16oz pressure relief valve
- 245-0120. Brass ball valve 3/4
- 245-0121. Brass ball valve 1"
- 245-0122. Brass ball valve, F.P. 2" 600psi
- 804-0022. Fort vale pressure relief (18psi)
- 804-0071. 3" Brass ball valve



Vac. Rlf.
245-0017



245-5050

SECONDARY SHUTOFF

- From 500-1500 CFM
- 12 Gallon Capacity
- Secondary Moisture Trap
- All Welded Steel Construction



2" Pipe "Tee"



Site Eye Assy.



2" Pipe Plug



Site Glass

SITE GLASS & RELATED PARTS

- 221-0065. 2" Pipe 'tee'
- 223-0067. 2" Short nipple
- 226-0066. 2" Pipe plug
- 245-0122. 2" Ball valve
- 247-0003. Site glass - Require 5' for one part
- 247-0004. 2" Male comp. Adapter pvc
- 804-0031. Site eye assy, thread in gauge 2"
- 804-0061. 5" Glass sight eye. Complete-steel
- 804-0169. Site tube- L.D. Model only

PRIMARY & SECONDARY SCRUBBERS

- 245-5045. 20" Primary shutoff w/3 1/4"
- 245-5050. 12 Gallon secondary shutoff 3
- 245-5080. 20" Primary aluminum nk-3"thrd
- 804-0001. 12" Scrubber gasket
- 804-0030. 14gal horiz secondary shutoff
- 804-0029. Single sh/off pvc moisture trap-2"
- 804-0069. 20" Primary scrubber
..... alum 3" knappco
- 804-0070. 20" Primary scrubber alum
..... 4"knappco
- 804-0073. 21" Primary shutoff 4"

BUTTERFLY VALVES

- 245-0165. 3" Butterfly Valve Waffer style
- 245-0166. 4" Butterfly Valve Waffer style
- 245-0167. 6" Butterfly Valve Waffer style
- 245-0168. 8" Butterfly Valve Waffer style
- 804-0120. Bray 3" air valve-buna seal-non acid
- 804-0121. Bray 4" air valve-buna seal-non acid
- 804-0122. Bray 6" air valve-buna seal-non acid
- 804-0166. Replacement handle/4" butterfly valve



4" Butterfly



247-0002

GAUGES

- 247-0002. Pressure gauge
- 247-0006. Tank clock gauge
- 804-0023. 4 1/2" Liq.Filled 30/60 gauge
w/1/2"mpt back mount
- 804-0077. 4 1/2" Liq.Filled 30/60 gauge
w/1/2mpt bottom mnt

FLANGES, GASKETS AND NUTS

- 200-0002. Blaylock mounting flange 1/4"
- 200-2001. 4" Blind flange 1/4"
- 200-2006. 8" Blind flange 1/4"
- 222-0035. 4" Flange slip on
- 222-0036. 4" Flange threaded
- 222-0058. Flange blind 8-bolt/vac box
- 222-0039. 4" Alum. 8 Bolt flange (150bbl outlet)
- 222-0048. 6" Welded flange 150#
- 222-0046. 6" Threaded flange 150#
- 222-0055. 8" Welded flange 150#
- 222-0060. 8" Threaded flange 150#
- 240-0085. 4" Gasket
- 240-0105. 8" Flange gasket/vac box
- 804-0021. Compression nut (packing housing)
- 804-0027. Compression nut stainless steel
- 804-0067. 3" Threaded flange #150lb.
- 804-0075. Bolt 3/4x6 ct-gr8



ELBOW PIPE

PIPE FITTINGS-SEC SHUT OFF

- 220-0079. Elbow 3" 90 threaded-sch 40
- 223-0078. 3" Close nipple
- 266-0035. 3" Hose barb
- 225-0078. 3" Merchant coupling
- 225-0075. Coupler half 3" 3000#
- 265-0037. Tank truck/trl hose fill suc 3"
- 265-0035. Tank truck/trl hose fill suc 1"
- 265-0036. Tank truck/trl hose fill suc 2"
- 265-0066. Blue hose 2"discharge
- 221-0075. 3" Pipe tee threaded sch40
- 266-0025. 2" Kc nipple hose barb

FLOAT BALLS & COMPONENTS

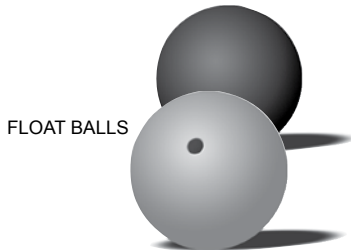


BALL CAGE

804-0015 8" Stainless steel ball cage w/ss tabs,304

BALL CAGE ASSEMBLIES

804-0039 8" SS 3" threads
 804-0040 6" - 2" threads
 804-0041 8" - 3" threads
 804-0042 8" - 4" threads
 804-0043 10" - 4" threads
 804-0044 10" - 6" threads



FLOAT BALLS

FLOAT BALL

804-0016 6" Stainless steel float ball
 804-0019 6" Stainless steel ball 5/16" hole 247-0005/
 804-0020 8" Stainless steel ball 1/2" hole
 804-0026 SS Ball
 (float indicator masport-nut welded)
 804-0050 3" SS no connect
 804-0051 8" SS no connect



RUBBER SEATS

FLOAT BALL SEAT

804-0052 2" w/buna snap on
 804-0053 3" buna snap on
 804-0054 4" buna snap on
 804-0055 6" buna clamp on
 804-0056 3 1/2" od clamp on



FLANGES, GASKETS & NUTS

FRAC TANK LONG HANDLE

804-0112 Long lock assy (4"dump vlv handle-rear)

LEVEL INDICATOR PARTS

500BBL FRAC TANK

217-0001 Bushing, pivot shaft 1 1/4x3 1/2-1idx1 3/16id 240-4025
 Viton o ring 2 req.
 240-8095 Seal
 430-0008 Clamp collar 2 req. (frac)
 217-0002 Pivot shaft 1x6
 247-0005 8" 20ga ss ball float
 247-5001 Pillow block
 804-0018 Float rod pointer
 804-0104 Float rod assembly (short) 1-Float Ball
 804-0017 Float rod assembly (long) 2- Float Balls



ASME CODE ACID TANKER-PARTS

804-0111 Ss wing nut (20"full opening
 manhole w/10"fill
 804-0117 Fusible & flangible plug
 804-0091 20" Lower dome gasket
 804-0164 10" Upper dome gasket
 245-5067 20" Manway full opening w/10"fill
 asme code type
 804-0171

Please see next page for Complete Breakdown

FLOAT BALL COMPONENTS

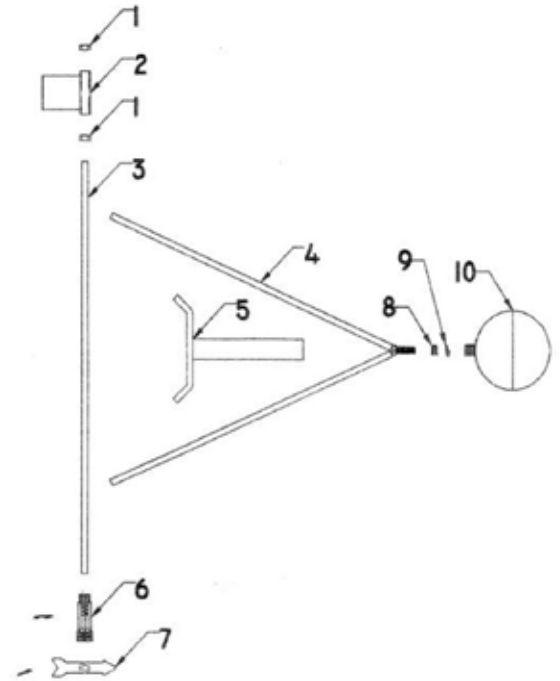
804-0002 4" SS ball float
 804-0004 Clamp for seat
 804-0005 6" Ball cage (scrubber basket)
 804-0007 Packing set 3pc
 804-0008 Compression washer
 804-0009 Packing washer
 804-0004 Hose clamp (ball seat secondary)

BALL FLOAT INDICATOR

247-0001 Ball float indicator ()
 247-0007 Ball float indicator (massport)

BALL INDICATOR BREAKDOWNS

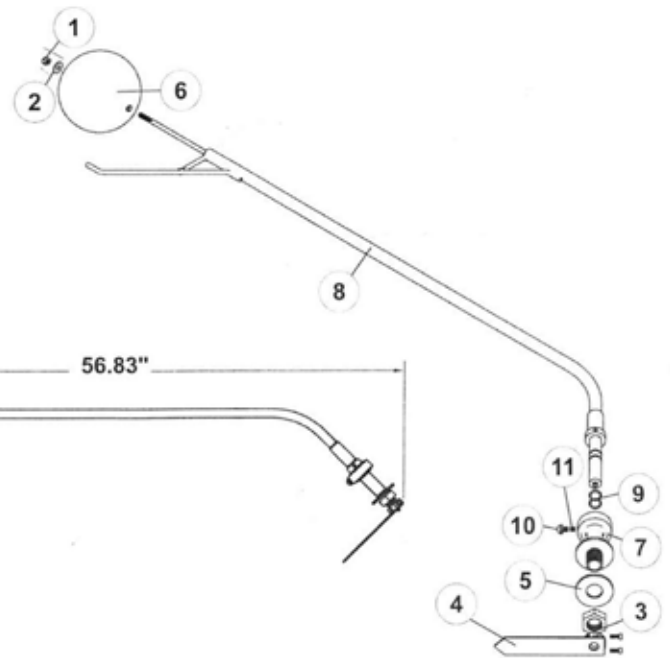
130 BBC Vaccum Trailer



Parts Breakdown for 247-0007

- 1 . . . 804-0092 . . . Shaft Collar 5/8" (2)
- 2 . . . 804-0093 . . . Level Hinge Bracket (1)
- 3 . . . 804-0094 . . . Level Hinge Rod (1)
- 4 . . . 804-0095 . . . Level Float Bracket Assy (1)
- 5 . . . 804-0096 . . . Float Stop (2)
- 6 . . . 804-0097 . . . Indicator Fitting Assy 1-3/8" , 14 thread (1)
- 7 . . . 804-0098 . . . Level Indicator Arrow (1)
- 8 . . . 804-0099 . . . Nut 5/8" Plated (1)
- 9 . . . 804-0100 . . . Washer 5/8 Lock (1)
- 10 . . 804-0026 . . . Stainless Steel ball (float indicator-nut welded)

150 BBC Vaccum Trailer



Parts Breakdown for 247-0001

- 1 5/6" Lock Nut
- 2 5/16" Flat Washer
- 3 . . . 804-0083 . . . 1-1/8" Jam Nut
- 4 . . . 804-0059 . . . Indicator Arrow
- 5 . . . 804-0058 . . . Viton Gasket for load level
- 6 . . . 804-0019 . . . 6" Stainless steel float ball
- 7 . . . 804-0060 . . . Float pivot weldment
- 8 . . . 804-0174 . . . Float arm weldment
- 9 . . . 804-0084 . . . Viton O-Rings (Requires 2)
- 10 . . 804-0085 . . . 3/8"-16 UNC button cap screw
- 11 . . 804-0086 . . . 3/8" Lockwasher

FRAC TANK

MANIFOLDS



HOSE ASSEMBLY



HATCH

MANIFOLD NUT



MANIFOLD END CAP



MANWAY COMPONENTS

- 405-4005 Nut 3/4 nylock (frac manway)
- 804-0106 Bolt 3/4x4-gr8 (frac manway)
- 400-4032 Eyebolt 3/4 x 6 (frac manway)
- 405-4010 Wing nut 3/4 (frac)

**For more information
on pumps call:
Bob Griffin
1-800-231-8198**



FRUITLAND PUMPS

- 804-0115 Bearings-front and rear-rcf500 pump
- 809-3004 Vane repair kit
- 804-0116 Fruitland pumps
- 804-0118 Mounting plate-hydraulic motor
- 804-0119 Hydraulic motor mount-back support
- 804-0159 7/8 Rubber insert/coupler
- 243-0002 Permco hydraulic motor
- Misc hydraulic drive bell housing
- Misc guard rings

COUPLERS, DUST PLUGS & FITTINGS



FEMALE DUST CAP
 804-0124..... 2"
 804-0125..... 3"
 804-0126..... 4"
 804-0127..... 6"



MALE W/FEMALE THREADS
 804-0128..... 2"
 804-0129..... 3"
 804-0130..... 4"
 804-0131..... 6"



FEMALE W/HOSE SHANK
 804-0132..... 2"
 804-0133..... 3"
 804-0134..... 4"
 804-0135..... 6"



MALE W/HOSE SHANK
 804-0136..... 2"
 804-0137..... 3"
 804-0138..... 4"
 804-0139..... 6"



FEMALE W/FEMALE THREADS
 804-0140..... 2"
 804-0141..... 3"
 804-0142..... 4"

CAM LOCK FITTINGS (NOT SHOWN)

266-5005..... Cam lock-f300
 brass 3" male adp
 266-5006..... Cam lock cap cd300-brass 3"
 804-0072..... 3" Fusible cap



MALE W/MALE THREADS
 804-0143..... 2"
 804-0144..... 3"
 804-0145..... 4"



FEMALE W/MALE THREADS
 804-0146..... 2"
 804-0147..... 3"
 804-0148..... 4"



REPLACEMENT Gasket
 804-0149..... 2"
 804-0150..... 3"
 804-0151..... 4"
 804-0152..... 6"



MALE DUST PLUG
 804-0153..... 2"
 804-0154..... 3"
 804-0155..... 4"



COMBINATION NIPPLE SHANK x MALE NPT
 804-0156..... 2"
 804-0157..... 3"
 804-0158..... 4"



REDUCER COUPLER
 804-0160..... 4 X 2
 804-0161..... 4 X 3
 804-0162..... 6 X 4



ADAPTER COUPLER
 804-0163..... 4 X 6



DUCKBILLS
 804-0047..... 2" Duckbill
 804-0048..... 3" Duckbill
 804-0049..... 4" Duckbill



STATIC REEL
 804-0014..... Grounding wheel 50ft.



LEVER GATE VALVE

BRASS LEVER GATE VALVES
 804-0033..... 2" Brass lever gate valve
 804-0035..... 4" Brass lever gate valve
 804-0167..... 4" Lever handle
 804-0038..... 3" 4-Way valve

REPAIR KIT
 241-0036..... Paint On Liner repair kit
 241-0040..... Vinester 120 primer-3 gal
 241-0041..... Vinester 120 top coat-3 gal

TOOL BOXES

805-0134..... latch
 232-0001..... tool box steel
 232-0002..... tool box alum
 805-0070..... step tool box
 805-0107..... frame for 150bbl
 not shown
 148-0002..... frame for 130bbl
 not shown

LATCH



TOOL BOX 232-0001



TOOL BOX 232-0002



805-0070

VAC TANK

130BBL VAC TANK HOSE PAN REPAIR PARTS

- 156-0001. 10g x 38 x 120 130 hose pan
- 107-0001. Rd 3/4 x 39 handrail support rod
- 158-0004. Pl 1/4 x 9 1/2 x 28 1/2 hosepan support
- 200-0013. Handrail support 1/4 x 8 3/4 x 14 5/8
- 157-0004. Rear hose pan cap pl 3/16x26x29
- 147-0002. Frt hose pan cap pl 3/16x9x26
- 148-0005. Rear outside fender plt 1/4x8x24
- 148-0001. Rear fender plate 1/4x19 1/2x26 1/2
- 157-0002. Rear light box pl 3/16x10x23 inside ang.
- 805-0181. Rear side marker light bracket
- Sfh3/821/2240. 3/8 stiffener ring 130bbl



SECONDARY SHUTOFF MOUNT PLATES

- 202-0105. Shutoff mount 1/2 pl
- 202-0095. Shutoff mount lower 1/2x4x8
- 202-0100. Shutoff mount upper 1/2x8x8



805-0165

FUEL TANK PARTS FOR MOUNTED VAC SYS

- 805-0165. Std strap 18" fuel tank
- 805-0166. Std base bracket 18" fuel tank

KING PINS

- 230-0033. King pin 1/2 oil field
- 805-0087. King pin 1/2 oil field
- 202-0090. King pin pad
- 202-0150. Frac kingpin plate 48"x51"
- 805-0002. King pin plate 130bbl steel
- 805-0085. King pin 1/4"
- 805-0150. King pin plate 150bbl alum

MUD FLAPS

- 230-0036. Mud flap, white dragon 24x30
- 230-0037. Mud flap blk 24x48-3/8 aggr.Trl
- 805-0068. Mud flap blk logo 24x30x1/2
- 805-0107. Tool box frame -150bbl alum
- 148-0002. Frt tool box mtn-130 bbl steel



230-0055



400-1075

FENDERS

- 805-0130. Plastic fender
- 400-1075. 2" Square U bolt for alum. Fender
- 230-0055. Fender, alum. Front
- 230-0056. Fender, alum. Rear
- 805-0064. Fender, alum bottom dump
- 805-0071. Ss full round fender-tct
- 805-0072. Ss fender dbl rad tandem
- 805-0106. Rear fender support-150bbl alum



DECALS

- 805-0156. Stick schedule slope roof 500bbl
- 805-0157. Stick schedule 500bbl 102"wide
- 805-0158. Stick schedule 500bbl 96" wide
- 805-0159. Stick schedule round bottom
- 475-0001. Danger do not enter ansi
- 475-0002. Large tiger tank decal 18x42
- 475-0003. Dragon products decal 8"
- 475-0004. Dragon products decal 4"
- 475-0005. Caution-rel hinge
- 475-0006. Danger stand clear
- 475-0007. Caution do not play 301e ansi
- 475-0008. Phone num decal
- 475-0009. Danger-dne-fatal vapors osha
- 475-0010. F921 label kit-fuel tank-w/war
- 805-0093. Decal warning do not operate
- 475-0013. Certified im 101 tank
- 475-0015. Liq/tight door latct instruction
- 475-0016. Dragon decal 5x15x.020/Alum bk
- 805-0025. Nameplate-icc bumper-475-0020
- 805-0026. Decal hyd control -475-0026
- 805-0027. Nameplate trl vin ca. 475-0028
- 805-0028. Nameplate container ca.475-0032
- 805-0029. Nameplate tongue lift-475-0036
- 805-0127. 500bbl corrugated wall stick chart
- 805-0132. Level indicator sticker-130bbl

PLACARDS

- 475-9001. Placard holder alum
- 475-9002. Flip placard

MANIFEST BOX

- 430-0005. Manifest box 8x13 al.Smod
- 805-0098. Document holder

805-0163



ALUMINUM REPAIR PARTS---150BBL

- 805-0163. 4x4 al front fendr support new
- 805-0162. 4x4 al front fendr support
- 180-6004. 6 X 4 x 1/4 al tube rear light box
- 180-0011. 1/4al buff 10 x 20 nose box
- 180-0005. 1/8 Al buff 38 x 150 hose trough
- 180-0007. Walkway support-alum
- 180-0009. 1/4 Al buff 12 x 26 mudflap brkt
- 180-6004. 6 X 4 x 1/4 al rear light box panel
- 180-6008. 5 X 2 x .18al channel ring 1/2"

CATWALK GRIPSTRUT

- Gra212144 gripstrut 5diax144 .100thk alum
- Grh212120. gripstrut 12ga 5"dia-12" x 10ft.
- Grh212144. gripstrut 12ga 5"dia-12" x 12ft.
- Grh11/815/860 . 13ga 3 row ring cap x 5' plain steel
- 158-0003. Pl 3/16 x 14 1/2 x 120 main frame

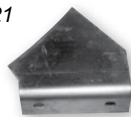
130BBL VAC TANK WALKWAY REPAIR PARTS

- Sfh1/44240 flatbar 1/4x4x240 toe plate
- Tph11/4252sch40pipe 1 1/4 x 252 sch40 - hand rail
- 210-0008. Head 60 od x 1/4 x 1.55 Sf asme f&d

FRAME RAIL LEFT OR RIGHT

- 210-0005. Baffle 58.875 Od x 1/4 nom 1.5
- Plh1/496190 plate 1/4" 96 x 190 barrell section

805-0121



ALUMINUM BAFFLE 60" END CAP-ALUM 60"

- 805-0108. Reinforcing plate alum-sec shutoff
- 805-0109. Formed angle alum-sec shutoff
- 805-0110. Front fender support-alum
- 223-0071. Nipple 2 x 6 alum sch 40
- 225-0069 Coupler-alum pipe 2" female thrd.
- 805-0121. 3"Gel line brackets
- 805-0126. Mid turn oval bracket-alum.
- 805-0137. L.H.Rear light box panel
- 805-0138. R.H.Rear light box panel
- 805-0139. Swing gate/handrails 150bbl alum
- 180-6005. Rollover protector a
- 180-6006. Rollover protector b
- 180-6007. Rollover protector c
- 805-0164. Rear hose tray cap alum
- 805-0167. Front hose tray cap alum-angle
- 805-0168. Complete catwalk

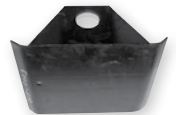
LADDERS

- 805-0178. Bent hitch pin 1/2"x 4"
- 805-0128. Lower ladder 130bbl tanker
- 805-0111. Alum 150bbl hd china (ladder)
- 805-0001 Aluminum trailer ladder
- 214-0023. #4 Ladder sm/frac with manifold
- 214-0022. #3 Ladder lg/frac w/o manifold
- 805-0011. Bolt on side rail #2 ladder assy
- 805-0100/408-6440 . . . Bolt on mid hand rail stairs #2
- 214-0021. #2 Ladder
- 408-6460 58" Handrail for 58"platform
- 408-6450 94" Handrail for 94"platform
- 200-0013. Handrail support
- 214-0030. 94"Platform base assy.(Fep)
- 214-0031. 58"Platform base assy.(Fep)
- 200-0024. Handrail pivot pockets
- 805-0112. 58"Handrail-3ft platform
- 805-0113. 94"Handrail-3ft platform
- 805-0123. 58"Folding hand rails
- 805-0124. 94" Folding hand rail

LANDING GEAR

- 230-0034 Ldg gear set
- 200-0003 Landing gear side plate,rev1
- 805-0003 Sand shoe 10"x10"x4"
- 805-0004 Axle (sand shoe)
- 805-0105. Landing gear support box
- 805-0129. Crank habdle/a400 landing gear
- 805-0133. Long crank handle
- 805-0155 Cross shaft

805-0003



805-0004



805-0129



223-0066

PIPE NIPPLES & ELBOWS

- 223-0066. Nipple 2x6 tbe sch 40
- 223-0076. Nipple 3x6 tbe sch 40

PIPE /DRAIN OR FILL

- Tph2252sch40. . . pipe 2x252 sch 40 -drain
- Tph3252sch40. . . pipe 3x252 sch 40 -fill

VACUUM BOX

- Trh1/426264 bottom rail

WHEELS & TIRES

- 230-0029. 11r24.5 Radial tire w/hub piloted whl
- 230-0027. Tire&whl frac tank 11-22.5 Whl&tire

ROLL-OFF & DUMP TRAILER



470-6007

STRAP WINCH

- 470-6007 Winch weld on 4"
- 805-0062 Side strap winch undermount
- 805-0066 16sl low profile winch



470-6006



470-6003



470-6001

RATCHET STRAPS

- 470-6001 Tarp strap, for 2" ratchet
- 470-6006 Strap 4"x5' w/hooks
- 470-6003 Ratchet, 2" narrow handle
- 805-0096 Container hook & strap
- 470-6004 Rubber strap 15" w/hooks
- 470-6005 Rubber strap 21" w/hooks

CONTROL CABLE

- 805-0031 H-16-sllrxdc1(control cable)



805-0065

BANG BOARD

- 805-0065 Aluminum bang board



805-0035

DUMP PUMP

- 805-0030 Permco p-5151 dump pump



LATCH ASSEMBLY

- 805-0055 Tailgate latch assy end dump tgl3



805-0077



805-0076

DRAW BARS & PINTLE HOOKS

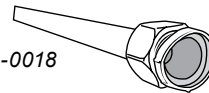
- 805-0067 Draw bar eye primier #20
- 805-0069 Coupler hitch 2200a
- 805-0076 Drawbar eye primier #405-s
- 805-0077 Drawbar eye #207s
- 805-0078 Drawbar eye assy #410s
- 805-0079 690l transfer coupler
- 805-0086 Front end primier #340s



805-0057

HOSE KITS

- 805-0032 Hose kit#17 (tct440-120cc)
- 805-0056 Hose kit#58d drp dk w/rvng
- 805-0057 Hose kit (0087) w/bfly f/endedump



805-0018

HYDRAULIC TUBING KIT

- 805-0016 St6-286 tubing kit #24 (reeving)
- 805-0017 Hyd tubing kit #31-pt
- 805-0018 Hyd tubing kit #57-d drp dk w/rvng
- 805-0019 Tubing kit #16 (tct440-120cc)
- 805-0091 Hyd.Tubing hose supports



805-0033

For representation purposes only, not whole kit.

FITTING KITS

- 805-0033 Fitting kit#18 (tct440-120cc)
- 805-0058 Fitting kit#33-pt
- 805-0059 Fitting kit#56d drp dk w/rvng

MISC.ROLL OFF PARTS

- 805-0177 lcc bumper pivot shaft assy
- 805-0179 Tct rail stop
- 805-0180 St6 cable guide assy.

ROLL-OFF & DUMP TRAILER



PULLEY PARTS


- 805-0050 Clevis pin d/t-(ncd-g05)
- 805-0051. Oil lubricator (asl #5-pf-1/2npt)
- 805-0052 10" Pulley
- 805-0053 5.25od sheave 7/8 cable groove
- 805-0060 Crosby cable clamps 5/8
- 805-0061 8" Sheave w/bushing
- 805-0114. Half moon bracket-pr.
- 805-0115. 10" Pulley pin 2"x4"
- 805-0116. 10" Pulley pin 2"x4 1/2"
- 805-0117. Sh200-01 shaft 2 x 5l
- 805-0118. Rail pin-st6
- 805-0119. Tail roller-dd,st6
- 805-0120. Sheave block assy pin -2"x 3 1/2 lg
- 805-0122. 3 X 4 roller w/1"1/4 x 6" grease shaft
- 805-0136. Release screw-va20 inlet section
- 805-0140. Shaft--1.5 Od x 4.5l
- 805-0141. Shaft-- 1.5od x 5l
- 805-0145. Sheave block assy/ 1st generation
- 805-0146. Sheave block assy/ 2nd generation
- 805-0147. Sheave block assy/ 3rd generation
- 805-0151. Eye bolt tensioner
- 805-0152. Lrg washer for pulley pin
- 805-0153. 1.5 X 6 pulley pin
- 805-0160. 1.5 X 3 3/4 stationary shaft
- 805-0161. 1.5 X 5 3/4 adjustable shaft

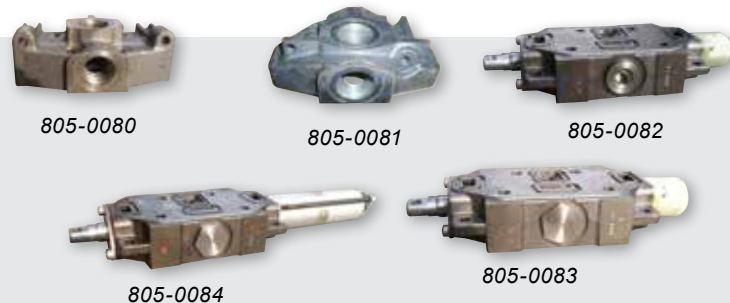
OIL LUBRICATOR

- 805-0051. Oil lubricator (asl #5-pf-1/2npt)



GAUGE


-  805-0063 Gauge 160 PSI plg-a-63-n-b-160

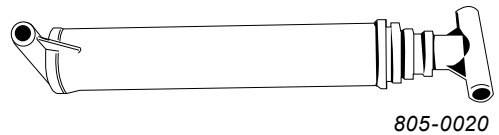


INLET SECTIONS

- 805-0080 Va-20 inlet section (aa880)
- 805-0081 Va-20 outlet section (a880)
- 805-0082 Va-20 motor spool (ma-7)
- 805-0083 Cyl spool va-20 (da-7)
- 805-0084 Cyc spool va-20 (dv-7)

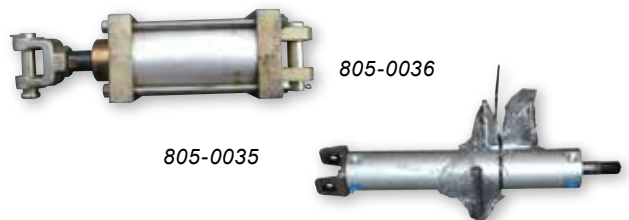
ROLLERS

-  805-0010 Roller 4"odx4"lx 21/8 idshaft
- 805-0024. 4x5 roll off roller (old style)
- 805-0089 Side roller retainer washer
- 805-0090 Retainer washer cotter pin
- 805-0092 Side roller shaft/plate loose-i beam
- 805-0099 Side roller shaft/plate welded



HYDRAULIC CYLINDERS

- 805-0020 Hoist cylinder 6x84x3
- 805-0037 6x20x1.5 Composite cyl btm dmp
- 805-0038 8x30x1.5 Composite cyl-sbd
- 805-0039 St6 lift cylinder 6x3stx118
- 805-0040 Reeving cyl st6/dd 7x3x120
- 805-0041. Drop deck lift cylinder
- 805-0042 Hoist cylinder 7x84x3
- 805-0043 Tct cylinder 6x3x52
- 805-0045 Lift cyl 30' end dump (220)
- 805-0046 36'Dump cylinder 265"
- 805-0047 Hyd cyl 32'end dump (235)
- 805-0048 Hyd cyl 28'end dump (200)
- 805-0049 Hyd cyl 38'end dump (280)



ROLL OFF & END DUMP CYLINDERS

- 805-0036 Gate latch cylinder assy.
- 805-0035 lcc bumper cylinder
- 805-0044 4x30 welded cyl end dump gate
- 805-0176. Bracket/lcc bumper cyl.
- Misc. end dump radius arm
- 805-0170. Dot bumper

CONTAINER TRAILER



805-0022

WINCHES

- 3541rl planetary winch seal kit
- 805-0021..... 82059 Planetary winch
- 805-0022 H24-slrrxdwe-81494
- Cable packer/tensioner
- R H spring/cable packer
- L H spring/cable packer



805-0135

WIRE ROPE CABLE

(Esp Container Trl)

- 805-0023..... 7/8x80x6x37 iwrc open hook
- 805-0009..... 7/8"X115' 6x37 iwrc w/1" oblg m/lmk
- 805-0054..... 5/8"X20' cable w/thimble eye &shackle
- 805-0094..... 7/8 X 60' w/spelter socket tct main
- 805-0095..... 5/8 X 60' w/spelter socket transfer
- 805-0101..... 7/8 X 100' w/ 1" masterlink
- 805-0125..... 7/8 X 80' w/1" masterlink
- 805-0135..... Cable wedge 5/8-3/4-7/8



425-6001



425-6002

RATCHET BINDERS

- 425-6001..... Ratchet binder hook/hook
- 425-6002..... Ratchet binder ,hook-eye
- 425-6003..... Ratchet binder 1/4 hook/hook
- 470-6003..... Ratchet 2"
- 433-0001-01... Ratchet binder, clevis-clevis
- 403-0008..... Ratchet pin, welded



805-0131

240-4055

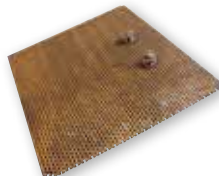


GASKETS

- 240-4055..... T-extruded gaskt,100'roll /per foot
- 210-2005..... Gasket retainer
- 804-0066..... 8"Flange gasket
- 805-0131..... E-seal gasket/esp containers

DWATERING BOX

- 805-0154..... Inspection door



CONTAINER REPAIR PARTS CHAIN

- 425-0001..... Chain 3/8 gr70 transport
- 425-0002..... 1/4 Chain pc 1/2 drum zp



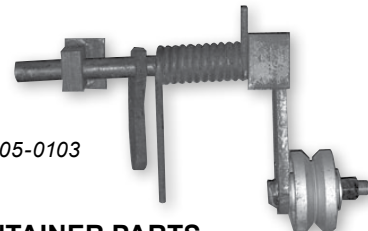
430-0009

SPRING

- 430-0009..... Spring,rolling lid-rh
- 430-0004..... Spring,rolling lid-lh
- 304-0028..... Dog house
- 202-2010..... 10" Wheel journal/hanger
- 805-0173..... 3.5l roller
- 805-0174..... Keeper
- 805-0175..... Roller axle 2"od x 8.25 L



217-0006



805-0103

ROLLERS - CONTAINER PARTS

- Split metal rolling lids-pair
- 805-0148..... Wheel 10 x 8 welded
- 805-0149..... Axle 10x8 wheel
- 217-0006..... Nose roller 4x6
- 217-0003..... Axle, nose roller
- 303-0015..... Wheel 10x9,welded
- 217-0004..... Axle, wheel
- 246-5001..... Roller,v-groove
- 338-2022..... Liner hook
- 425-3001..... Obround link 3/8 gr 100
- 328-2021..... 3/8 Rb x 4 tarp hook/weld on
- 805-0103..... Rolling lid wheel assy-l.H.
- 805-0104..... Rolling lid wheel assy-r.H.
- 205-2001..... Nose roller bracket-outside
- 203-2001..... Nose roller bracket-inside
- 205-2002..... Container hook

HANDLES

- 805-0034..... (Dv35-h10) 10"hyd valve handle

DOOR HARDWARE

- 202-2005..... Liquid tight door hinge
- Misc..... complete container door
- 435-5736..... Door hinge pin 7"
- 217-0005..... 2rx4 hng slv w/grease fitt

CONTAINER TRAILER



470-0001 , 805-0013,
805-0014, 805-0015



470-3001

470-3004

470-3003

470-3002



805-0142

TARPS & HARDWARE

- 470-0001 Standard roll tarp
- 122-1043 Tarp bow holder 3"
- 470-3001 Tarp bow
- 470-3002 Roll pipe,22ft galvanized
- 470-3003 Tarp crank handle
- 470-3004 Tarp stop/mount
- 805-0006 Crank handle w/ujoint

- 470-3004 Tarp bracket
- 805-0012 Tarp,apiroll w/ cut outs
- 805-0013 Tarp,intermodal front-black
- 805-0014 Flat bed tarp 10x25 black
- 805-0015 Tarp standard rollover
-grey
- Tph1288twg. fixed pipe,24ft galvanized

CONTAINER LINER

- 805-0142 3mil plastic liner
- 805-0143 4mil plastic liner
- 805-0144 6mil plastic liner

MD Turn lights, Back up lights

LIGHTS

& ACCESSORIES



231-0006

803-0002



BEE HIVE



ST/T-CL-MIDTURN LIGHTS

- 231-0004 Light-indent 3 bar red
- 231-0006 Tail light-flush mount
- 231-0007 Light cl amber armored
- 231-0008 Light cl red armored
- 231-0013 Led bar light red
- 231-0014 Led clearance lt. Amber 2 1/2
- 231-0015 Led clearance lt. Red 2 1/2
- 231-0016 Led tail light stt 4"

- 231-0017 Led mid turn oval
- 231-0029 4" Sst sealed w/reflex (frac)
- 803-0001 Led 6x2 oval red stt light
- 803-0002 Red lamp
- 803-0006 Beehive 2" amber led
- 803-0007 Beehive 2" red led
- 803-0012 2"Beehive std. -Red
- 803-0013 2"Beehive std. -Amber
- 803-0026 Led clearance light amber 2"

BACKUP LIGHT

- 803-0011 Sealed backup light round 4"
- 803-0021 Backup alarm

- 803-0027 Led clearance light red 2"
- 803-0028 Sealed mid turn oval-amber
- 231-0114 2"Marker red sealed
- 231-0115 2"Marker amber sealed
- 803-0031 Cl.Lens-red for 3 bar light
- 231-0031 Add-on front marker light kit



231-0015

231-0014



231-0016



231-0017



803-0001



LICENSE LIGHT

- 231-0009 License light w/bracket
- 803-0024 License light

7 WAY RECEPTACLE

- 231-0005 7 Way female w/male pins

LIGHTS & ACCESSORIES

Work lights, reflectors, grommets, tape



WIRING HARNESS

- 231-1200 Wire harness tank trailer
- 231-1250 Wire harness frac trailer
- 235-0005 12/6-10/1 7 Way trailer cable
- 235-0010 14/6 Trl. Wire 100'reel
- 235-0015 14/3 So wire
- 235-0020 14/2 So wire
- 235-0025 Brn. Wire 14ga.
- 235-0030 14/4 Trl cable
- 803-0004 Wire harness
f/st6-262-ehesp-12a/b
- 803-0005 Tct wire harness
- 803-0015 Harness-ehesp03b
- 803-0016 Harness 05b pull trlr
- 803-0017 Pak684b wire harness end dump
- 803-0018 Harness f/pak850 drop deck
- 803-0019 Harness pak912 (ehesp-85)
- 803-0020 Harness pak904 (ehtns-02b)



LED PIGTAILS

- 231-0018 Plug ledtail, mid trn
- 231-0019 Plug led clearance
- 803-0023 Plug led adapter



237-2002



235-5006

JUNCTION BOX

- 803-0025 Junction box-blk 7 way
- 236-0001 Stahlin 6x8x43/8 junction box
- 235-5006 Terminal strip 8 space 47538
- 237-0002 3/4 Cord grip
- 237-0005 3/4 Con grip lock nut

WORKLIGHTS

- 231-0001 Worklight w/switch



REFLECTORS

- 231-0026 Reflector red 2 3/8 adhesive
- 231-0027 Reflector amber 2 3/8 adhesive



LIGHT BRACKETS

- 210-0002 Frac light bracket
- 200-0015 Light bar mount 3/16 x5x18



ABS LIGHT ASSEMBLY

- 803-0029 Light, brkt, pigtail & decal 2 1/2"

GROMMETS

- 231-0002 Grommet tail light 4"
- 231-0003 Grommet midturn oval
- 231-0012 Grommet 2 1/2 cl.Light
- 231-0116 Grommet 2" round
- 803-0008 Grommet 1-1/4odx7/8id-5186
- 803-0009 Grommet 1" rubber-5162
- 803-0010 Grommet 5/8",rubber-5156
- 803-0022 Grommet 2" closed
- 803-0003 2" Open grommet



REFLECTIVE TAPE

- 242-3010 Tape red/white 2"reflective 150ft
- 242-3100 Tape white 2"reflective 150ft



- 803-0030
Document Holder
Made of High Density Polypropylene
+ UV Protection.



AIR BRAKE COMPONENTS

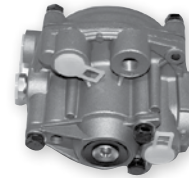
- 230-0012. Air ride control kit (ack147)
- 802-0001. Leveling valve
- 802-0002. Brake protection valve
- 243-4007. Manual dump valve humphrey
- 802-0004. Air ride control kit w/lift
- 802-0005. 5 Port pilot valve
- 802-0006. 3 Port pilot valve
- 802-0020. 3 Port pilot valve
- 802-0022. Pilot valve
- 800-0007. Air ride kit w/ dual leveling valves
- 802-0008. Upper bracket
- 802-0009. Lower bracket
- 802-0010. Lower bracket (ta250/300underslung)



802-0001



802-0022



805-0021

TANDEM AXLE TRAILER ANTI-LOCK BRAKE SYSTEM

NEW SYSTEM-SEALCO VLVS

- 231-5001. Complete antilock (abs) system for trailers
- 802-0054. Emergency valve
- 802-0055. 4s/2m ecu modulator
- 802-0056. Sensor assembly
- 802-0057. Sensor clip
- 802-0058. 10ft sensor extension cable
- 802-0059. 10ft blunt cut power cable

TANDEM AXLE TRAILER ANTI-LOCK BRAKE SYSTEM OLD SYSTEM

- 802-0061. Loom 60" power outlet
- 802-0062. 4 Wire power lead
- 802-0011. Complete anti-lock system for trailers
- 802-0012. Tev spring brake valve -tramec # 51301
- 802-0013. Antilock module m30t
- 802-0014. Trl abs ecu modulator model tabs6
- 802-0015. Trl relay valve model 3r9235 rear tank
- 802-0016. Abs wheel sensor round plug
- 802-0017. Abs wheel sensor square plug
- 802-0018. Reservoir tank front
- 802-0019. Reservoir tank rear
- 802-0060. Mc 30 trailer abs controller assy. Old style

SINGLE AXLE BRAKE SYSTEM NON ABS

- 802-0021. Relay valve tank mtn (Frac tanks)
- 802-0030. Air kit (single axle frac)

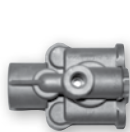
FITTINGS

- 802-0023. Bulkhead fitting-3/8fmptx1/2mpt
- 802-0044. 3/4 Hex pipe nipple
- 802-0045. 1/4 Pipe x 3/8 tube 90 swivel (air)
- 802-0046. 3/8x1/4 bushing with screen

DRAGON-ESP DUMPS ROLL OFFS

AIR RELATED PARTS

- 802-0024. Quick exhaust valve 1/2" in line
- 802-0025. Air valve 4w 2p bav010
- 802-0026. Solenoid 12v elect (bav050sa)
- 802-0027. Del switch dav1221x3
- 802-0029. Air control kit (ack-166rd)
- 802-0032. Limit switch -swm43
- 802-0033. Air limit switch (nvm-830-n01-13)
- 802-0034. Air shift cyl f/h1242 winch -tulsa
- 802-0039. Air switch red dot #2021
- 802-0028. Brake pak684b sys e/d
- 802-0035. Brake kit st6-262-pak543
- 802-0036. Tct brake sys.-Pak521w/kit107
- 802-0037. Pak850 brake system drop deck
- 802-0038. Pak912b super bdump
- 802-0053. Trl abs ecu modulator model tabs6



802-0012



802-0014



802-0016

AXEL PARTS & COMPONENTS

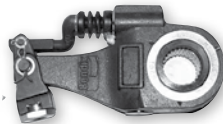
**Axel Components, Piloted Hubs w/Outboard Drums,
Axle Parts cam, Bushing Kits, Brake Kits, Shoes, etc.**



AXEL COMPONENTS

- 230-0020. Axle, 25000# air 77-1/2" track
- 230-0021. H/p 71.5 Axle, vac/m61d1bc1cx
- 230-0064. Axle 77 1/2" w30/30 abs 25k#
- 801-0001/230-0041. Brake shoe assy, 161/2"x7"q type
- 801-0002. Camshaft brake l/h 24 1/8 std.
- 801-0003. Camshaft brake r/h 24 1/8 std.
- 801-0004. Cam bearing washer
- 801-0005. Seal
- 801-0006. Bushing
- 801-0007. Cam bearing washer
- 801-0008. Retaining ring washer
- 801-0009. Slack adjuster 1 1/2"28 spline
- 801-0010. Shaft end washer
- 801-0011. Retaining ring washer
- 801-0012. Hex bolt m8x30
- 801-0013. Heavy duty plain washer
- 801-0014. Hex nut m8
- 801-0015. Camshaft support assembly
- 801-0016. Axle heavy duty nut
- 801-0017. Axle washer
- 801-0018. Lock washer
- 801-0019. Axle outer lock nut
- 801-0020. Heavy duty return spring
- 801-0021. Spring anchor pin
- 801-0022. Pin return spring
- 801-0023. Roller retainer
- 801-0024. Brake shoe roller
- 801-0025. Brake anchor pin
- 801-0026. Anchor pin bushing
- 801-0027. 45 Degree 1/8"npt grease fitting
- 801-0028. Grease plug
- 801-0073. Brake chamber bracket
- 801-0062. Axle 71 1/2-long studs oil in hub (esp trl)
- 801-0063. Assem axle 77-1/2 f/t as03-2211-0807-0

STACK ADJ.



AXLE PARTS CAMS, BUSHING KITS, BRAKE KITS, SHOES, ETC

- 801-0061. Brake shoe kit
- 801-0070. Camshaft-lh 20 5/8"
- 801-0071. Camshaft-rh 20 5/8"
- 801-0064. Camshaft-lh 24 1/8"
- 801-0065. Camshaft-rh 24 1/8"
- 801-0066. Brake cam kit
- 801-0067. Cam bushing
- 801-0068. Wheel seal-hand install
- 801-0072. Brake shoes pair

PILOTED HUBS W/OUTBOARD DRUMS

- 801-0049. Hub, cup & stud assy. 10 Stud 285.75mm bc
- 801-0050. Hub & drum assy. 10 Stud 285.75mm bc
- 801-0051. Hub & drum assy. 10 stud 275.75mm w/nuts
- 801-0035 /231-5002. Abs tone ring (when required)
- 801-0036. Inner bearing cup hm218210
- 801-0037. Outer bearing cup hm212011
- 801-0052. Stud, press in m22x1.5
- 801-0040. Cast brake drum 16 1/2 x 7
- 801-0053. Swivel flange nut
- 801-0045. Oil cap gasket
- 801-0046. Oil cap w/vent plug
- 801-0047. Lockwasher
- 801-0048. Capscrew
- 801-0054. Inner bearing cone hm218248
- 801-0055. Outer bearing cone hm212049
- 801-0056. Hub oil seal/two piece
- 801-0057. Hub oil seal/one piece
- 801-0058. Stemco seal
- 801-0059. Stemco wear ring
- 801-0060. Oil cap plug



CAM SHAFT



BRAKE SHOE



OIL CAP PLUG



STUD ASSEMBLY

AXLE ASSEMBLYS

- 801-0069. Axle assy. w/ta300-9w arms & hangers

STUD PILOTED HUBS W/OUTBOARD DRUMS

- 801-0029. Lh hub,cup&stud assy, 10 stud 11 1/4 b.C.
- 801-0030. Rh hub,cup&stud assy, 10 stud 11 1/4 b.C.
- 801-0031. Lh hub&drum assy. 10 Stud 11 1/4 bc
- 801-0032. Rh hub&drum assy.10stud 11 1/4 bc
- 801-0033. Lh hub&drum assy. W/wheel nuts 11 1/4
- 801-0034. Rh hub&drum assy. W/wheel nuts 11 1/4
- 801-0035/231-5002. Abs tone ring (when required)
- 801-0036. Inner bearing cup hm218210
- 801-0037. Outer bearing cup hm212011
- 801-0038. Lh stud, press in
- 801-0039. Rh stud, press in
- 801-0040/230-0040. Cast brake drum 16 1/2x7
- 801-0041. Lh inner capnut
- 801-0042. Rh inner capnut
- 801-0043. Lh outer capnut
- 801-0044. Rh outer capnut
- 801-0045. Oil cap gasket
- 801-0046. Oil cap w/vent plug
- 801-0047. Lockwasher
- 801-0048. Capscrew



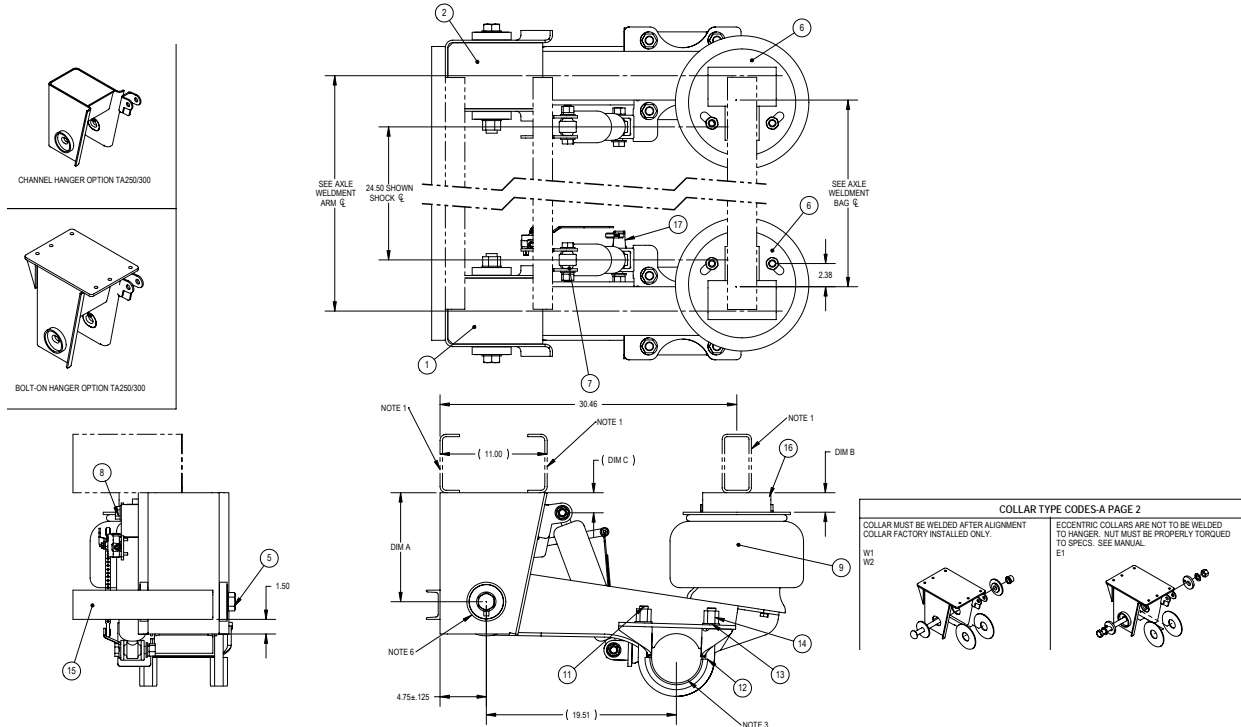
CLAMP RING

BRAKE CHAMBERS

- 802-0031. Type 30 -single chamber
- 802-0040. 5/8 Clevis assy. W/1/2"pin
- 802-0041. Type 30 tandem brake chamber
- 802-0042. Type 30 brake diaphragm
- 802-0043. Clamp ring type 30

SUSPENSIONS

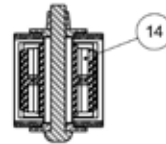
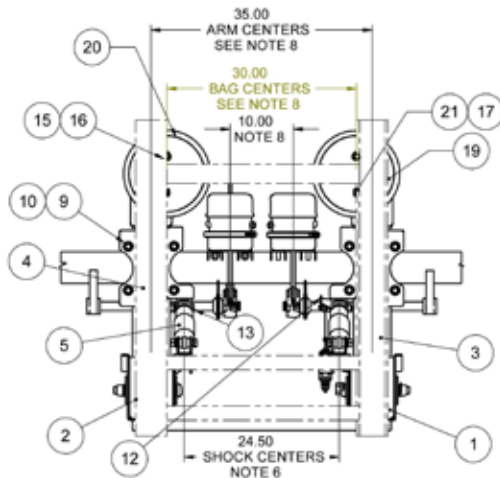
Parts List Breakdown For AIR RIDE SUSPENSION 230-0011 • AIR RIDE SUSP. TA-300-14W



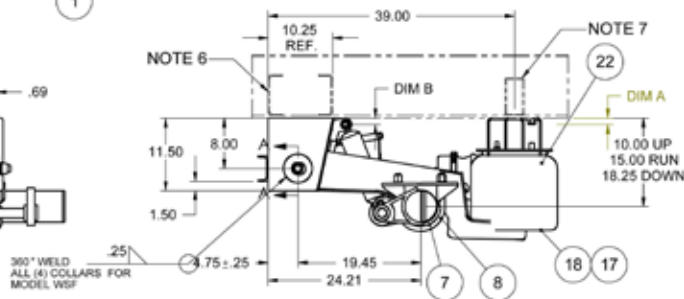
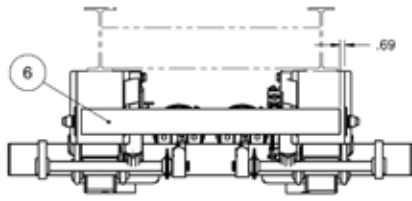
Item	Part No.	Single Axle (QTY)	Tandem Axle (QTY)	Description
1	800-0049	1	2	Hanger Assy LH
2	800-0050	1	2	Hanger Assy RH
3 & 4	800-0052	1	2	Arm Assembly LH
	800-0048	1	2	Arm Assembly RH
5	800-0152	4	8	Weld Collar
	800-0053	4	8	Hanger Spacer Washer
6	800-0063	2	4	Upper Bag plate assy.
7	800-0065	2	4	Shock
8	800-0066	1	2	Vertical Shock Kit
9	800-0058	2	4	Airspring
10	800-0062	4	8	50 Lockwasher
11	800-0054	4	8	U bolt 7/8-14x8"
12	800-0055	4	8	U bolt to axle spacer
13	800-0057	8	16	Washer 0.875 Hardened
	800-0059	4	8	.75 Hex head nut
	800-0060	4	8	.75 Lockwasher
	800-0061	4	8	50-13x1.25 Capscrew
14	800-0056	8	16	Highnut 0.875-14
15	800-0067	1	2	Crossbrace weld on 41"
	800-0068	2	4	Pivot Fastner
	800-0069	2	4	Pivot Fastner
16	800-0070	2	4	Bar Plug 1/4" NPT
	800-0071	1	2	Optional Strap Kit
18	800-0051	2	4	Bushing
17	800-0064	1	2	Level valve rod brkt

SUSPENSIONS

Parts List Breakdown For TA302-14/15 ASSEMBLY



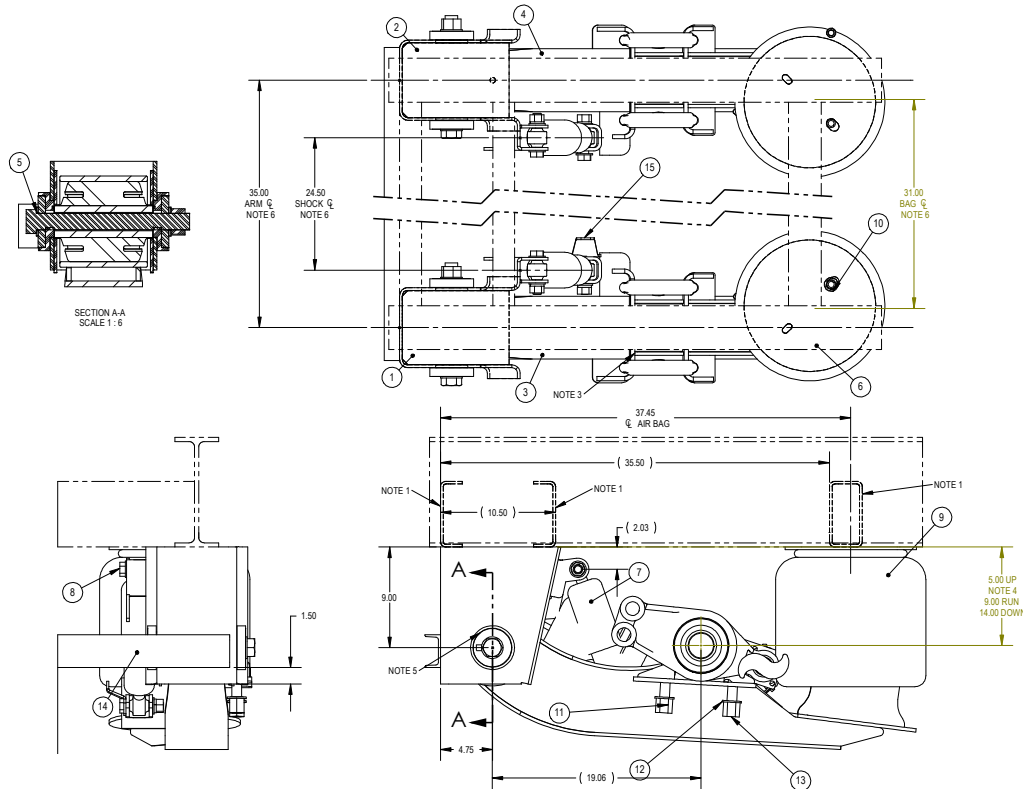
SECTION A-A
SCALE 1 : 8



Item	Part No.	Single Axle (QTY)	Tandem Axle (QTY)	Description
.....	800-0104	1TA302-14 Assy
.....	800-0105	1TA302-15 Assy
1.....	800-0106	1Hanger Assy LH/TA302-14
.....	800-0107	1Hanger Assy LH/TA302-15
2.....	800-0108	1Hanger Assy RH/TA302-14
.....	800-0109	1Hanger Assy RH/TA302-15
3.....	800-0110	1Arm Assy LH/TA302-14
.....	800-0111	1Arm Assy LH/TA302-15
4.....	800-0112	1Arm Assy RH/TA302-14
.....	800-0113	1Arm Assy RH/TA302-15
5.....	800-0065	2Shock Absorber
6.....	800-0067	1Crossbrace Weldon 41"
7.....	800-0055	4U Bolt Spacer
8.....	800-0054	4U Bolt 0.875 x 8.00
9.....	800-0057	8Washer 0.875 Hard
10.....	800-0056	8Highnut 0.875-14
11.....	800-0114	4Weld Collar
.....	800-0115	4Hang Spacer Washer Nylon
12.....	800-0064	1Level vlv rod conn. Brkt
13.....	800-0066	1Vert. Shock hwd. Pack
.....	800-0116	2Huck Pin 1.125 x 8
14.....	800-0117	2Pivot Bushing/Delrin Liner
.....	800-0118	2Huck Collar
15.....	800-0060	275 Lockwasher
16.....	800-0059	275 Hex Head Nut
17.....	800-0062	650 Lockwasher
18.....	800-0061	4Capscrew 0.50-13 x 1.25
19.....	800-0119	1Top Bag Plate/TA302-14 LH
.....	800-0120	1Top Bag Plate/TA302-15 LH
20.....	800-0121	1Top Bag Plate/TA302-14 RH
.....	800-0122	1Top Bag Plate/TA302-14 RH
21.....	800-0123	2Hex Nut 0.50 UNC
22.....	800-0081	2Air Spring (Load)

SUSPENSIONS

Parts List Breakdown For AIR RIDE DROP DECK, FRAC PUMPER, 5 AXLE LOW BOY 230-0015 • AIR RIDE SUSP TA300U-9W



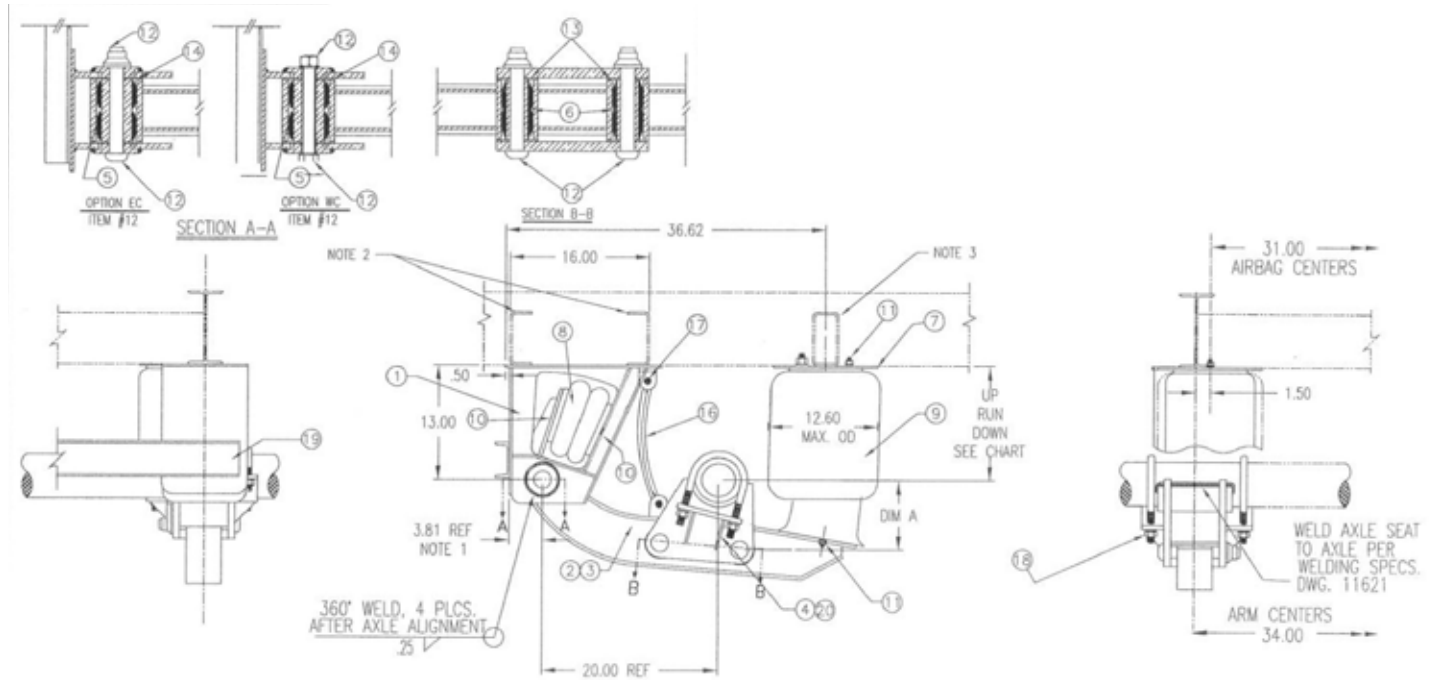
Item	Part No.	Single Axle (QTY)	Tandem Axle (QTY)	Description
.....	800-0161	2	4	.Axle travel limit strap vac. Tankers
.....	800-0159	2	4	.Axle travel limit strap/5 axle low
1 & 2	800-0072	2	4	.Hanger assembly lh
.....	800-0073	2	4	.Hanger assembly rh
1 & 2	800-0074	2	4	.Hanger assembly lh ecc
.....	800-0075	8	16	.Hanger assembly rh ecc
3	800-0076	8	16	.Arm assembly lh
4	800-0077	1	2	.Arm assembly rh
5	800-0078	0	2	.Ti collar pack
.....	800-0079	0	2	.Ti collar pack
6	800-0080	2	4	.Upper bag plate
7	800-0065	2	4	.Shock
8	800-0066	1	2	.Vertical shock kit
9	800-0081	2	4	.Air spring
10	800-0082	1	2	.Air spring hardware pack
11	800-0083	4	8	.U bolt
12	800-0057	8	16	.Flat washer .875
13	800-0056	8	16	.High nut .875 Unf
14	800-0067	1	2	.Crossbrace weld on 41"
15	800-0064	1	2	.Level valve rod brkt
16	800-0084	2	4	.Bushing (ref only)

1.888.801.7778 • www.dragonproductsltd.com

Picture for Reference only. Actual product may differ from product illustration.

SUSPENSIONS

Parts List Breakdown For AIR RIDE LIFT AXLE ASSY 230-0013 • LIFT AXLE ASST. COMPLETE

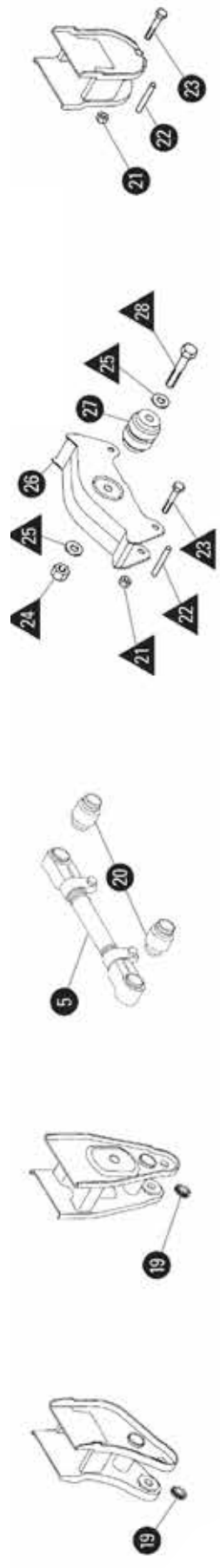
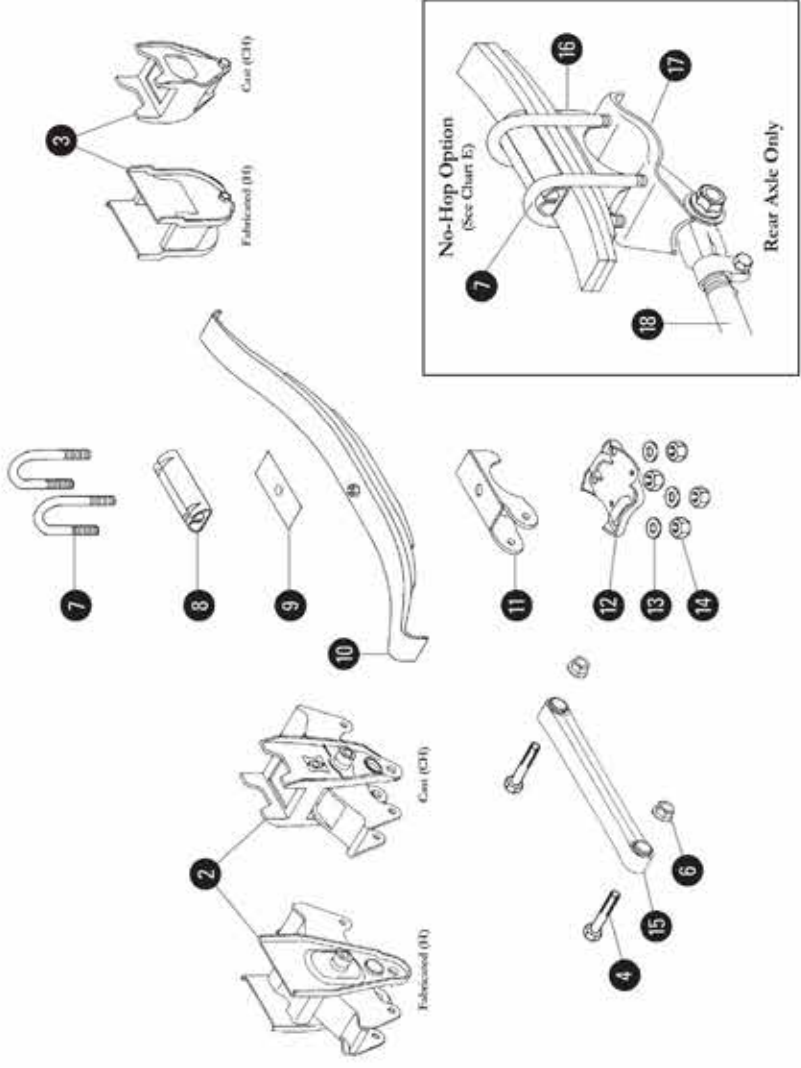
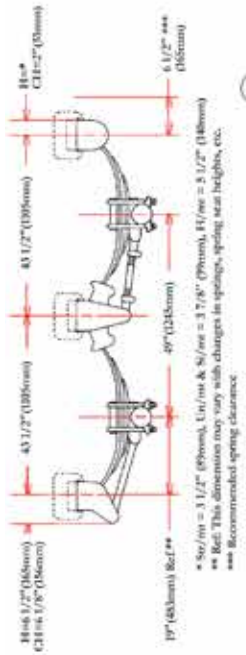


Item	Part No.	Single Axle (QTY)	Tandem Axle (QTY)	Description
1	800-0085	2		Hanger Assembly
2	800-0086	1		Arm Assembly LH
3	800-0087	1		Arm Assembly RH
4	800-0088	1		Axle Seat Assy LH
5	800-0089	2		Pivot Bushing
6	800-0090	4		Axle Seat Bushing
7	800-0091	2		Upper Bag Plate Assy
8	800-0092	2		Airspring (Lift)
9	800-0093	2		Airspring (Load)
10	800-0094	1		Airbag Hardware Pack (Lift)
11	800-0095	1		Airbag Hardware Pack (Load)
12	800-0096	1		Trailing Arm Huck Pack
	800-0097	1		Trailing Arm Huck Pack
13	800-0098	8		Washer 3.38 OD X 0.25
16	800-0099	2		Down Strap 15.75" L
17	800-0100	1		Strap Hardware Pack
18	800-0101	1		U Bolt Pack 3/4"
19	800-0102	1		Crossbrace 42" L
20	800-0103	1		Axle Seat Assy RH
	800-0154	1		Axle Strap for (AL- 95)
	800-0145			Center Lift Assy (AL-85)
	800-0146			Axle Lift Kit (AL-95)
	800-0160	1		Axle Lift Strap (AI-85)

SUSPENSIONS

Parts List Breakdown For 230-0006 • SINGLE SUSP 9700SOS /354

Item	Part No.	Single Axle (QTY)	Tandem Axle (QTY)	Description
1.	800-0027	2	2	Front Hanger Assy
2.	800-0026	0	2	Center Rocker/ Rocker Hanger Assy
3.	800-0025	2	2	Rear Spring Hanger Assy
4.	800-0024	4	8	Radius Rod Bolt - 1-14 UNS x 5"
5.	800-0023	1	2	Radius Rod w/Bushing-19.25 LG
6.	800-0022	4	8	Flange Locknut - 1-14 UNS
7.	800-0142	4	8	U-Bolt 7/8 for 3 Leaf Spring (Shown)
	800-0021	4	8	U-Bolt 7/8 for 8 Leaf Spring (Not Shown)
8.	800-0020	2	4	Top Plate
9.	800-0019	2	4	Galvanized Liner
10.	230-0007	2	4	Spring, 3 Leaf, Hi Arch (Shown)
	230-0009	2	4	Spring, 8 Leaf, Low Arch (Not Shown)
11.	800-0018	2	4	Spring seat 5" Round
12.	800-0017	2	4	Bottom Plate 5" Round
13.	800-0016	8	16	Washer 15/16 ID X 13/4 O
14.	800-0015	8	16	Hex Nut 7/8-14NF
15.	800-0014	1	2	Non-Adj Radius Rod
16.	800-0013	0	2	Spring Seat- Replaces Rear Spring Only
17.	800-0012	0	2	Fittings- Replaces Rear Bottom Plate Only
18.	800-0011	0	2	Adj. Radius Rod w/ Bushing
19.	800-0010	2 Per Hanger	2 Per Hanger	Washer Bushing- Frt & Center Hanger Only
20.	800-0009	2 Per Rad Rod	2 Per Rad Rod	Radius Rod Bushing 3" LG
21.	800-0008	2 Per Susp	6 Per Susp	Lock Nut 5/8-18NF
22.	800-0007	2 Per Susp	6 Per Susp	Sleeve Spacer 3/4 OD X 3-1/4 LG
23.	800-0006	2 Per Susp	6 Per Susp	Hex Bolt 5/8-18NF X 4-1/2
24.	800-0005	1 Per Rocker	1 Per Rocker	Hex Lock Nut 1-1/8-7 UNC
25.	800-0004	2 Per Rocker	2 Per Rocker	Washer 1/8 X 1-1/4 (ID) X 2-1/4 (OD)
26.	800-0003	0	2	Rocker Assy w/Bushing
27.	800-0002	1 Per Rocker	1 Per Rocker	Rocker Bushing (Rubber)
28.	800-0001	1 Per Rocker	1 Per Rocker	Hex Cap Screw 1-1/8 X7



Replacement Parts

Dragon is part of a family of companies dedicated to customer service and satisfaction. We hope you find this catalog useful. Dragon Pump, Sales and Service provides custom fabrication to meet our customers' specific needs in the Petrochemical, Shipping, Drilling, Agricultural and Mining Industries.

We warehouse a huge supply of parts for the products we manufacture, striving to stock the highest quality parts and materials.

Thank you for being a Dragon Customer, we look forward to your feedback!



Scan this code to view our eBrochure for Industrial Liquid Waste Handling Equipment