



DRAGON

RANCO Anvil Frameless End Dump



DEMOLITION POWER and more...

RANCO can haul Asphalt...
Demolition Materials... Boulders.
The versatile **RANCO ANVIL**
handles all of your hauling needs.
Count on RANCO to provide quality
construction trailers.

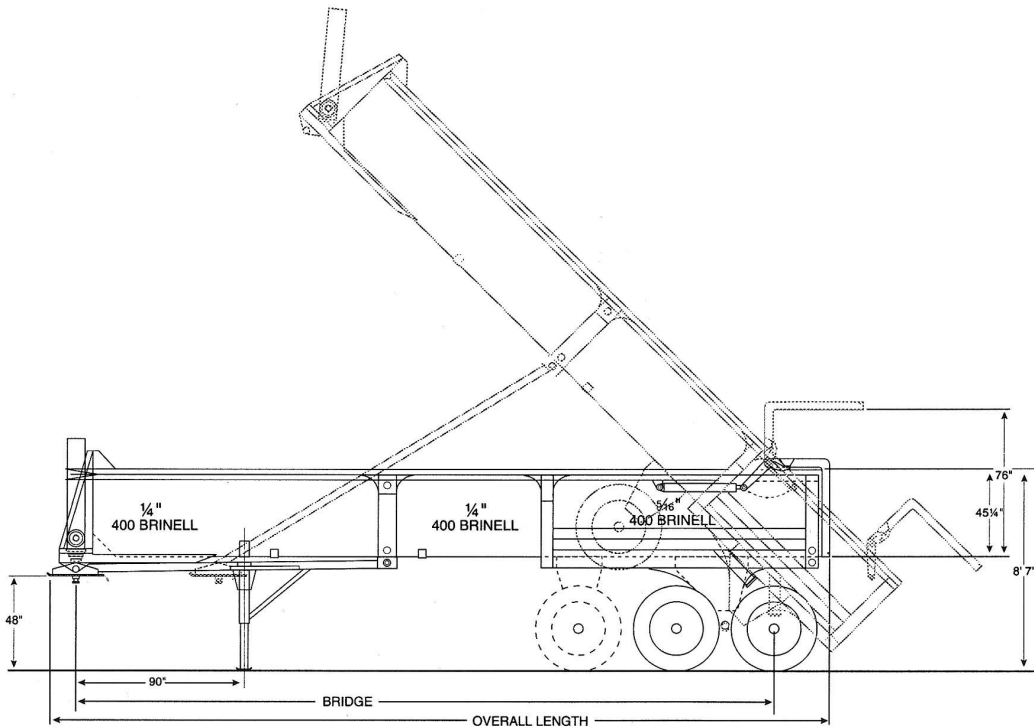


FRAMELESSEDD • 10/15

tanktrailer.sales@modernusa.com • www.dragonproductsltd.com • 877-231-8198

U.S. owned and operated for over 50 years. © Copyright 2014 Modern Group Inc. All rights reserved.

RANCO Anvil Frameless End Dump



Disc Brake Option

| MODEL NO. | ED 24-30 | ED 26-34 | ED 30-38 |
|-----------------|-------------|-------------|-------------|
| OVERALL LENGTH | 30' 2" | 34' 3" | 38' 2" |
| BODY LENGTH | 28 FT. | 32 FT. | 36 FT. |
| CAPACITY* | 24 CU. YD. | 26 CU. YD. | 30 CU. YD. |
| BRIDGE | 26' 7.5" | 30' 7.5" | 34' 7.5" |
| CYLINDER LENGTH | 200" | 235" | 265" |
| DUMP ANGLE | 46° | 46° | 45° |
| WEIGHT* | 14,740 LBS. | 15,290 LBS. | 15,840 LBS. |

- Parking legs: Adjustable mounted on draft arms
 - Truss Design Draft Arms, 3" x 4" -- 76" Wide at Hinge
 - Bolt on Front & Rear Fenders
 - Front Mounted Ladder
 - High Lift Tailgate -- 76" Clearance between raised gate & body -or- Combination Gravity Lift and Barn Type Door
 - Hutchens H-903, 50,000 lb. Single Point Suspension
 - 25,000 lb. 5" Tubular Axle w/ Stemco Seals
 - 16.5" x 7" Air Brakes
 - ABS Brake System - 4S2M
 - Outboard Hubs w/ Lightweight Drums
 - 8.25 x 24.5 Steel Disc Wheels
 - 11R24.5 Tires
 - Circuit Breaker Protected Sealed Beam Lights
 - Wiring in Loom and Enclosed in Trailer Frame
 - Sealed Document holder
 - RANCO Artic White Paint
- OPTIONAL EQUIPMENT:**
- 54" High Sides* in Lieu of Standard 45"
 - 2 Speed Landing Gear
 - 66" Side Height
 - 5/16" Tub Sheeting
 - 8" Side Board Brackets & Boards
 - Aluminium Wheels
 - Tarps - Side or Flip
 - Colors Available
 - 3rd lift axle
 - Disc Brakes
 - Hubodometer